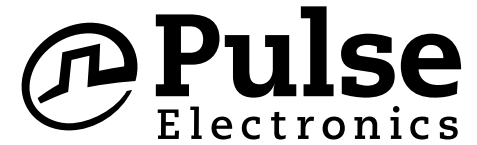


PRODUCT DATASHEET

PART NUMBER: CX6157



**PRELIMINARY
PRODUCT SPECS
PER MOTOROLA
REV B DRAWING**

- Diplexer 50-870/975-1025 MHz
- Impedance = 75 Ohms
- Surge Protection 10/1000 uS, 3KV, 120A
- Operating Temperature = -40°C to 85°C

Electrical Specifications @ 25°C

INSERTION LOSS : COMMON TO LOWPASS

50-870 MHz	975-1025 MHz	1790-2100 MHz							
1.5 dB typ 2.5 dB Max	64 dB Min	20 dB Min							

INSERTION LOSS : COMMON TO HIGHPASS

50-870 MHz	975-1025 MHz	2000-3000 MHz							
40 dB Min	2.5 dB Max	20 dB Min							

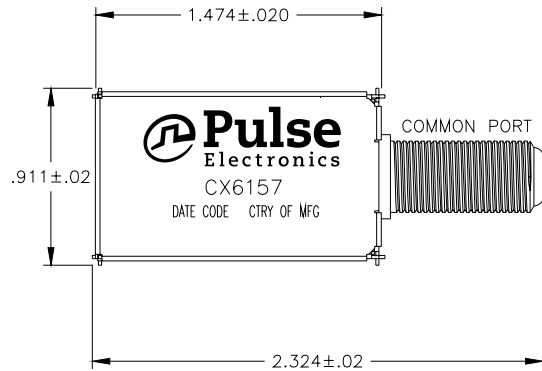
ISOLATION: HIGHPASS TO LOWPASS

50-870 MHz	975-1025 MHz								
40 dB Min	64 dB Min								

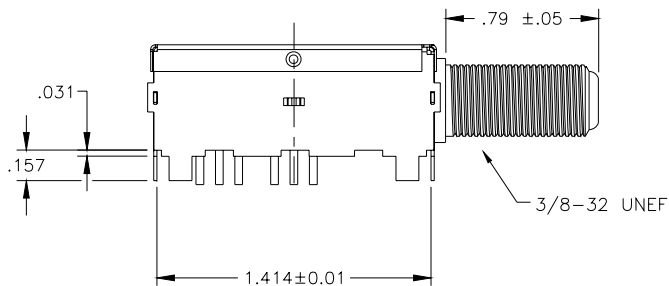
RETURN LOSS:

50-300 MHz	301-600 MHz	601-870 MHz	975-1025 MHz						
16 dB Min	14 dB Min	12 dB Min	14 dB Min						

Mechanical Specifications

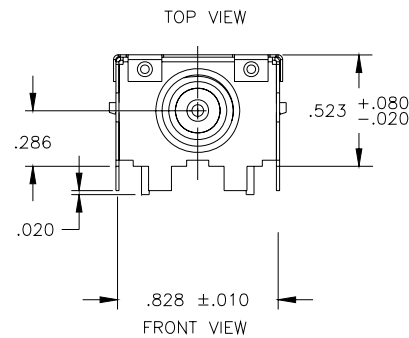


TOP VIEW

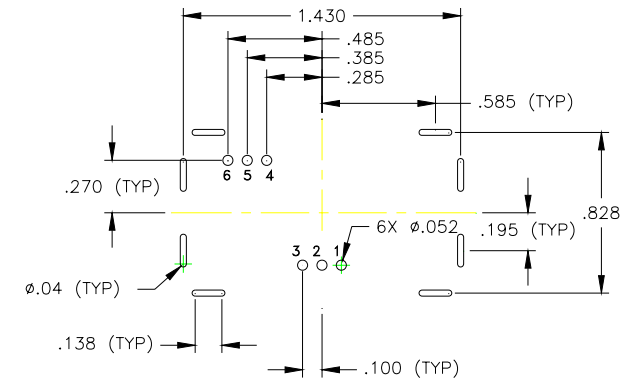


SIDE VIEW

DESIGNATIONS	
COMMON PORT (CP)	FC1
HIGHPASS (WAN)	PIN 2
LOWPASS (CATV)	PIN 5
GROUND (GND)	PINS 1 & 3
GROUND (GND)	PINS 4 & 6



FRONT VIEW



SUGGESTED PAD LAYOUT
TOP VIEW

DIMENSIONS	INCH
TOLERANCES	.XX +/- .01
	.XXX +/- .005

Housing Specifications:

F-Connector: Nickel plated Brass.

F-Connector Torque Resistance: 20 inch lbs in 10 seconds

Housing: SPTE